

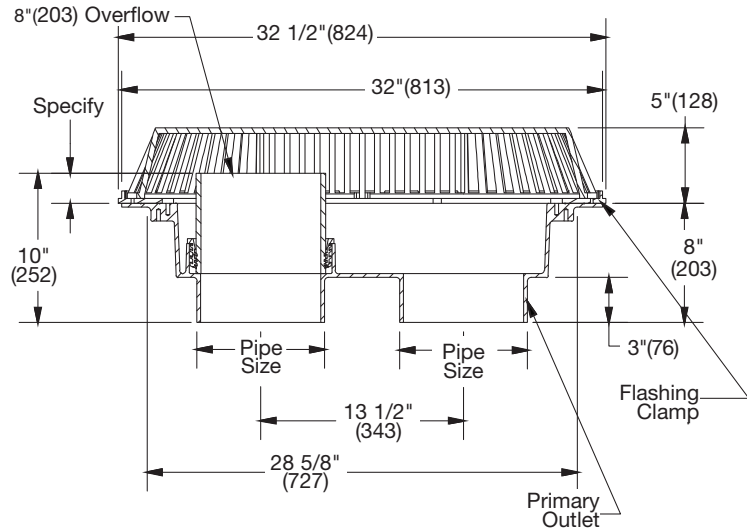
Roof Drains

RD-800 Dual Outlet Large Capacity Roof Drain/Overflow

Model Number	Outlet Size	WT., lbs.	List Price
RD-808	8"	115	\$2844.00
RD-810	10"	115	3,220.00



Note: February 2019 Launch



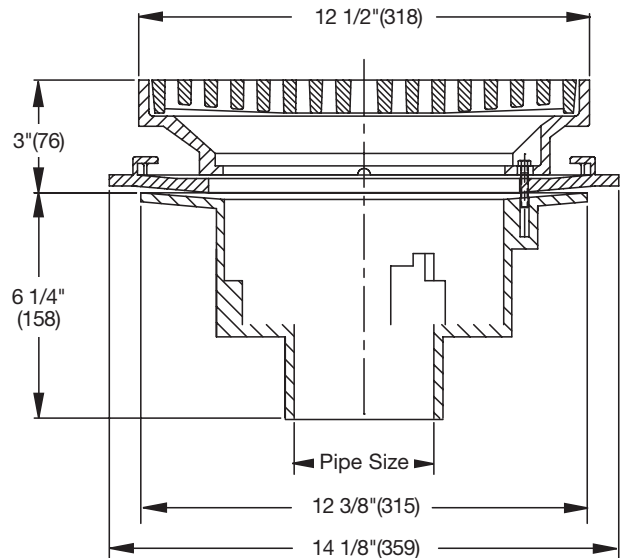
RD-800-CT

Options for RD-800 Series:

Suffix	Description	List Price
-CT	Overflow Through Dome	No Add
-D	Underdeck Clamp	\$247.00
-F	Deck Flange/Adj. Extension	442.00
-R	2" External Water Dam	230.00
-L	Vandal Proof Dome	117.00
-W2	2" High Overflow	No Add

RD-100-CP Roof Drain with 12"x12" Promenade Top

Model Number	Outlet Size	WT., lbs.	Grate	List Price
RD-102, 3, 4-CP,	2, 3, 4"	80	ductile iron	\$1,083.00
RD-102, 3, 4-CP-1	2, 3, 4"	80	nickel bronze	1,825.00
RD-105, 6-CP	5, 6"	80	ductile iron	1,083.00
RD-105, 6-CP-1	5, 6"	80	nickel bronze	1,825.00



Options for RD-100-CP/RD-300-CP15 Series:

Suffix	Description	List Price	Suffix	Description	List Price
None	No Hub	No Add	-85	4" SS Perforated Extension	\$625.50
P	Push-On Available on 3,4 & 6" Only	No Add	-B	Sump Receiver	268.00
T	Threaded Outlet (RD-100-CP only)	\$80.00	-D	Underdeck Clamp	240.00
X	Inside Caulk Outlet (RD-100-CP only)	No Add	-E	1" Stackable Clamp	80.00
-6	Vandal Proof	147.00	-F	Deck Flange/Adj. Extension	659.00
-9	Hinged Grate	227.00	-SO	Side Outlet (RD-100-CP 2, 3, 4" only)	336.00
-13	Galvanized	956.50			

Consult factory for all applications outside of listed parameters.

Prices do not include applicable taxes.

